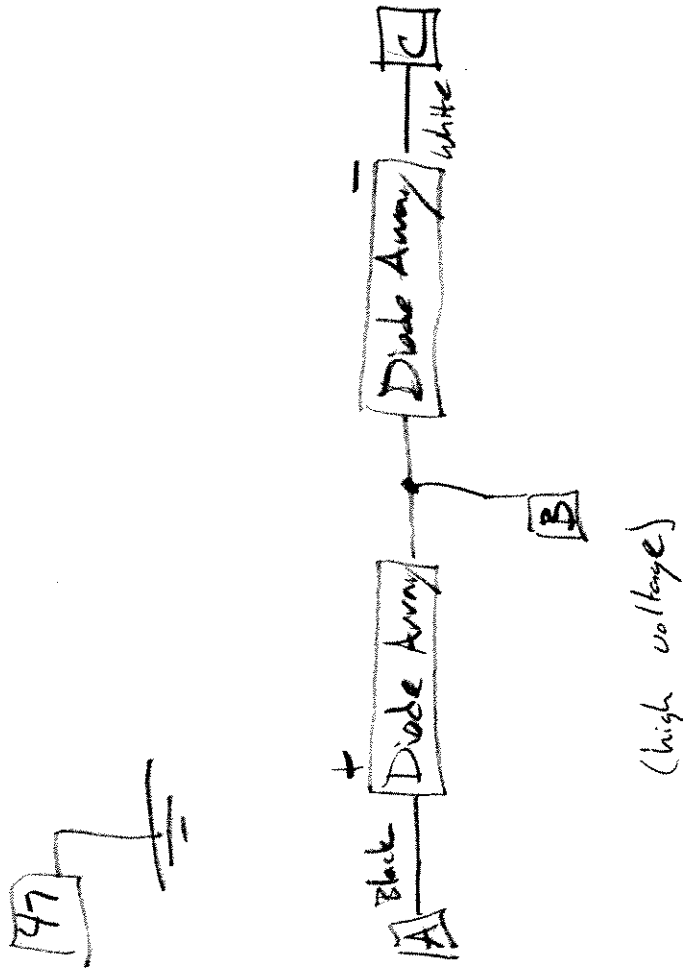
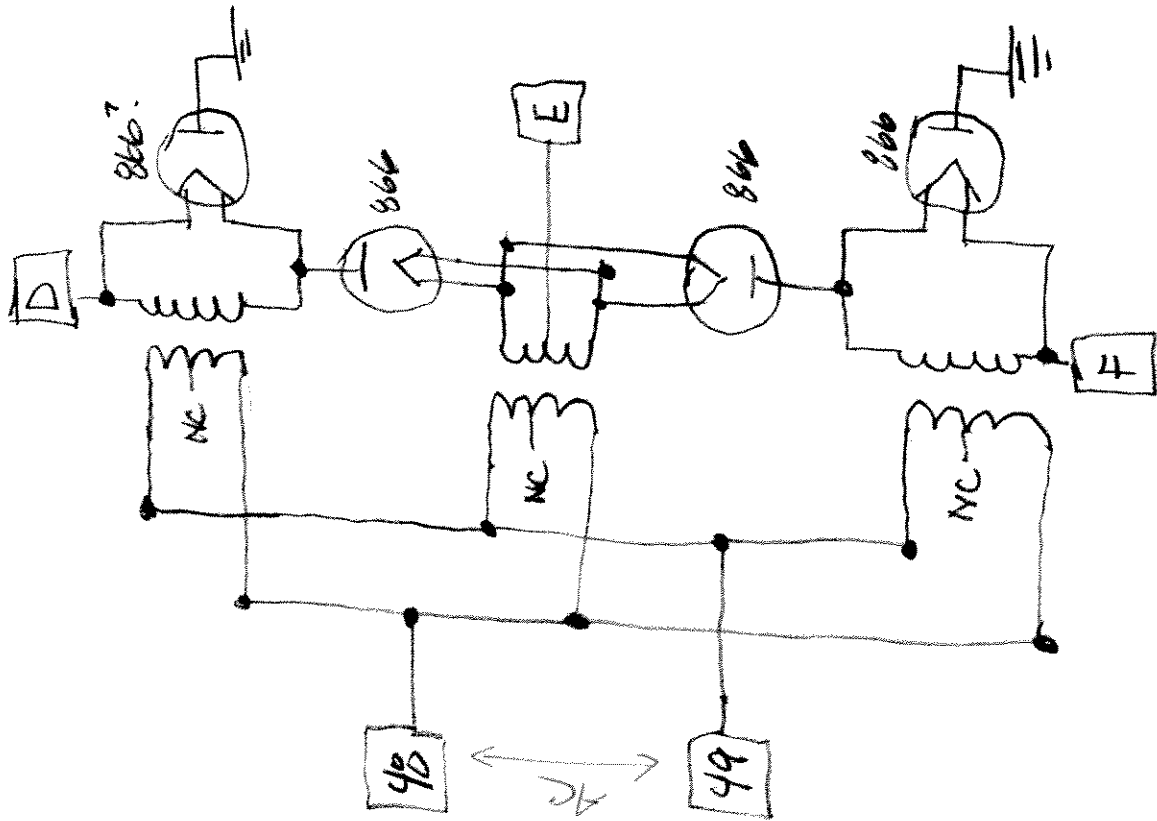
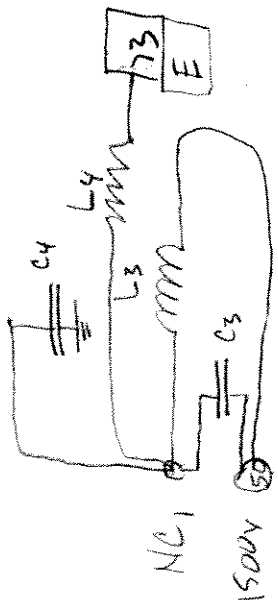


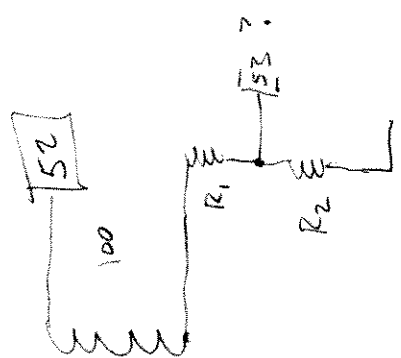
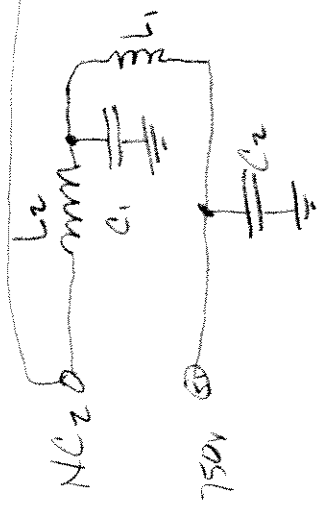
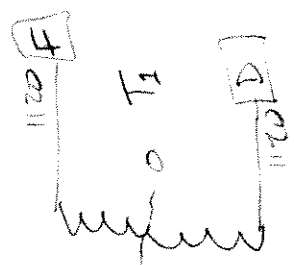
Power Rectifier Deck



AUX POWER SCHEMATIC



to receiver deck



AC

